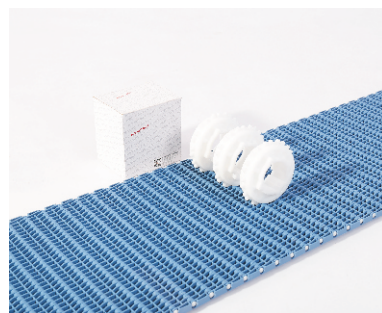
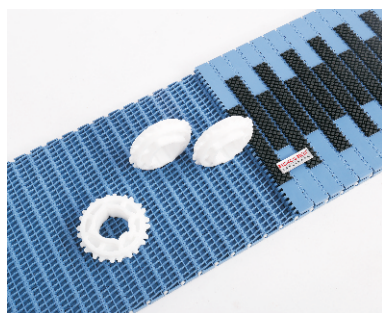
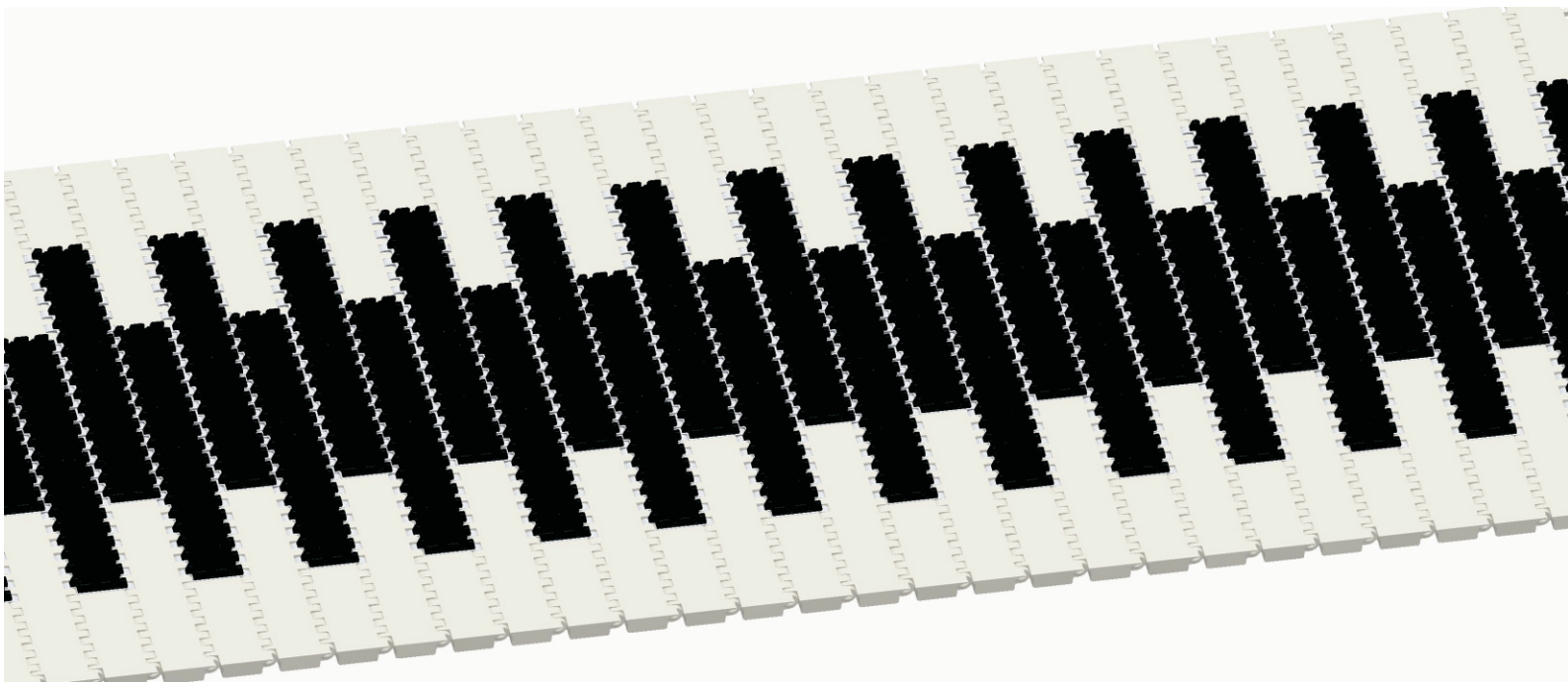


## HS-700EL-N Technical Data Sheet



<p>Pitch: 27.2mm                  Minimum Width: 152mm                  Open Area: 0%                  Approved: FDA                  Rod: Ø 4.5mm                  Flight: Yes                  Side Guard: No                  Curve: No</p>	
--	--

### Data

Belt Material	Belt Strength			Temperature		Belt Weight (Kg/M <sup>2</sup> )
	Straight		Curve	°C (min.)	°C (max.)	
	Kg/M(BW)	N/M(BW)				
Polypropylene	1320	13200	--	1	70	7.9
Polyethylene	1060	10600	--	-60	60	8.7

BW – Belt Width

### Color Table

Polypropylene					Polyethylene					Acetal					Nylon				
W	G	N	DB	B	W	G	N	DB	B	W	G	N	DB	B	W	G	N	DB	B
●	●						●												

W-White, G-Gray, N-Nature, DB-Dark brown, B-Blue (For more information of belt color, pls consult our sales team)

### Friction Table

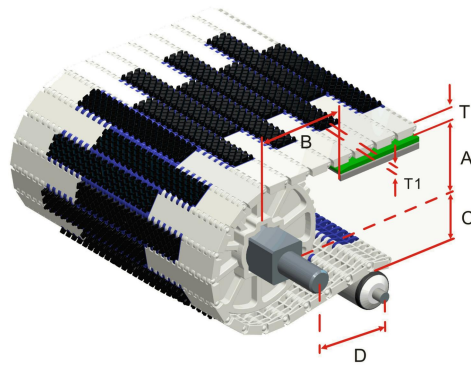
Belt Material	Friction Wear strips & Products							
	UHMW	HDPE	Steel	Glass	SUS	Plastic	Cardboard	Aluminum
Polypropylene	0.32	0.24	0.15	0.09	0.13	0.08	0.15	0.25
Polyethylene	0.13	0.11	0.26	0.19	0.31	0.16	0.21	0.41
Acetal	0.11	0.09	0.27	0.16	0.26	0.15	0.19	0.28
Nylon	0.18	0.13	0.25	0.16	0.26	0.16	0.19	0.27

SUS – Stainless Steel

### Equivalent type with other Brand

Brand Name	Intralox	Habasit	UNI	Rexnord	MCC	ScanBelt
Series & Type	S900 Square Friction Top	--	--	--	--	--

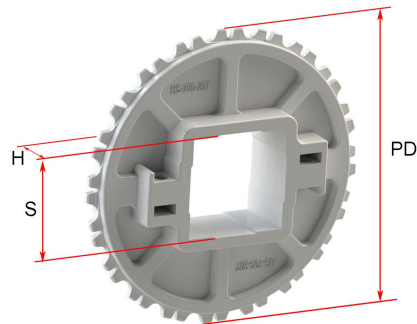
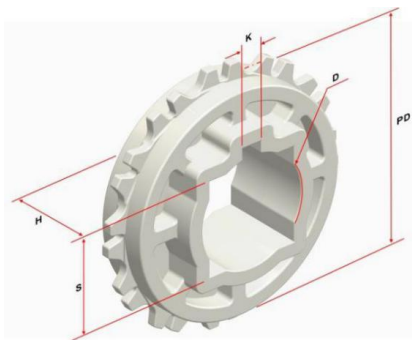
The above content is only for reference.



## Conveyor Frame Dimensions

Unit : mm

No. Teeth	A ( Min.)	B ( Min.)	C ( Max.)	D ( Min.)	T	T1
6	21.25	36.15	20.35	200	9.8	5
9	35	49.9	34.1	200		
10	38.85	53.75	37.95	250		
12	47.85	62.75	46.95	250		
17	71.1	86	70.2	300		
18	74	88.9	73.1	300		
20 / 20-Split	82.6	97.5	81.7	300		
24	100	114.9	99.1	300		



## Sprocket Dimensions

Unit: mm

No. Teeth	PD	OD	S	D	H	K
6	54.40	52.3	25.4	--	18.5	--
9	79.53	79.8	25.4/38.1/40	25.4	21.5	6.35X3.17
10	88.02	87.5	25.4/38.1/40	25.4/30	18.8	6.35X3.17
12	105.09	105.5	25.4/30/38.1/40	25.4/30/31.75/35/38.1/45/47/50	35	6.35X3.17
17	148.03	152	--	114	35	4.5X4.5
18	156.64	157.8	38.1/40/50/60/63.5	25.4/30/31.75/35/38.1/40/46/47	35	6.35X3.17
20	173.87	175	38.1/40/60	25.4/30/31.75/38.1	35	6.35X3.17
20-Split	173.87	175	60	31.75/30	40	6.35X3.17
24	208.39	209.8	38.1/40	25.4/30/38.1/45	35	8X8